

MADE IN CANADA ♦



305M // 1000FT



UP TO 8 HOURS
INTERCHANGEABLE BATTERY



4K ULTRA HD
LOW-LIGHT CAMERA



EXTREME MOBILITY
STABILIZATION CONTROL



POWERED BY BRIDGE

Deep Trekker's newest technology platform solves the most challenging operating conditions. It delivers reliable, stable and intuitive controls.

An improved software intelligence enhances the operator's experience with easier controls, auto-stabilization, wireless connectivity, and augmented recording capabilities.

BRIDGE provides the most innovative solution to our customers.

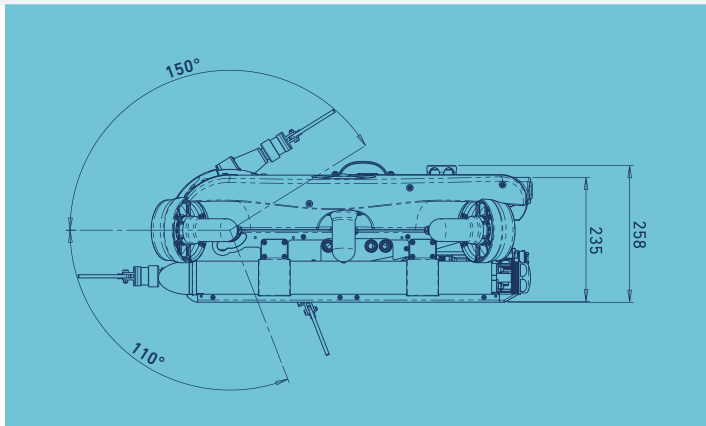


Enhanced Viewing Experience

The **live 4K video** records directly to the **waterproof** handheld controller and its 7-inch viewing screen allows for the clearest view of underwater inspections. The improved interface allows for **simultaneous viewing of sonar data and live-video**, without the need for external control consoles.

Advanced Stability and Camera Control

Coupled with the driving force of **BRIDGE**, the REVOLUTION ROV provides advanced stability in underwater environments. Equipped with **automated station holding**, the camera, sonar, and manipulator is still capable of rotating 260° for situational awareness.



Truly Portable Solution

Topside power and generators are not required to power the REVOLUTION ROV. With **internal batteries and integrated equipment**, Deep Trekker ROVs are the only truly expeditionary systems on the market. **Deployable within 1-minute**, this ROV proves to be the ideal tool for mission-ready situations.

ROV General Specs

Width :	440 MM (17.3")
Height :	235 MM (9.3")
Length :	717 MM (28.2")
Weight (in air) :	26 KG (57 LB)
Body Material :	Anodized Machined Aluminum, Carbon Fiber, Stainless Steel, & Buoyancy Foam
Window Material :	Sapphire & Acrylic
Depth Rating :	305 M (1000 FT)
Operating Temp :	-10°C to 50°C (14°F – 122°F)
Case (optional) :	Custom Pelican Air 1650 Handle and Wheels
Warranty :	1 Year – Parts and Labor (optional 2-3)

Fully Assembled - Fully Tested - Ready to Use ROV Controller

Screen:	178 MM (7") Wide-Angle LCD
Controller:	16:9 Up to 4K Recording
	Waterproof
	Connectivity USB, SD, HDMI and Ethernet

Lights and Camera

Video :	UHD 4K - 3840X2160 720p - 1280x720 30FPS 0.001 Lux
	260° Total Range of View
Picture :	JPG 8MP
Lights :	High Efficiency LED Fully Dimmable 8,400 - 11,800 Lumens

ROV Electrical System

System Voltage :	22.2 VDC
Battery Run Time :	Up to 8 Hours (30-sec Battery Change)
Battery Recharge :	3 Hours
Thruster Control :	6x Independent Control Infinitely Variable 100% Reversible

ROV Tether

Tether Diameter :	4.5 MM (0.18")
Tether Weight :	Neutrally Buoyant in Water
Maximum Length :	800 M
Min Breaking Strength :	90 KG (200 LB)